



HYDRA CUBUS

Your home, your charge, your way.



HYDRA CUBUS

Advanced, high quality, smart home charger.

The HYDRA CUBUS 7.4kW / 11kW / 22kW compact, modern EV charger is designed specifically for the UK market for home and commercial charging requirements.

- ✔ Free Intelligent Home Charging App
- ✔ Smart Control - scheduled charging (benefit from off-peak tariffs)
- ✔ Optional Load Management
- ✔ O-Pen Protection



Designed for **quick** and **efficient** setup, reducing labour **expenses**.





PRODUCT FEATURES



RCD Protection

Built-in Type B RCD
DC 6 mA, AC 30 mA
(Industrial-grade protection)



Earthing Arrangement

Built-in O-PEN Protection



Connectivity

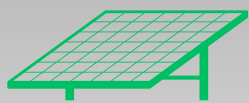
Bluetooth/Wi-Fi/Ethernet/4G

Control charging with the Hydra Nexus Pro App, Built-in RFID reader, OCPP 1.6



Integrated Protections

Over- and undervoltage, power overload, short circuit, dispersion currents, missing ground connection, surge, overtemperature



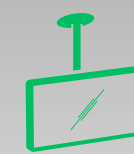
Solar Compatibility

ECO, ECO+, and Fast charging modes



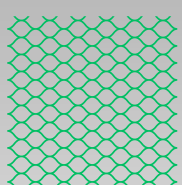
Load Balancing

Built-in Load balancing with up to 32 units can be connected



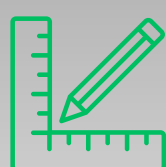
Mounting

Wall-mounting, pedestal mounting



Protection (Enclosure)

IP54 (Socketed), IP65 (Tethered), IK10



Dimensions (HxWxD)

260*260*100 (mm)



Type of Connection

1P+N+PE, 3P+N+PE
Gauge dependent on calculation

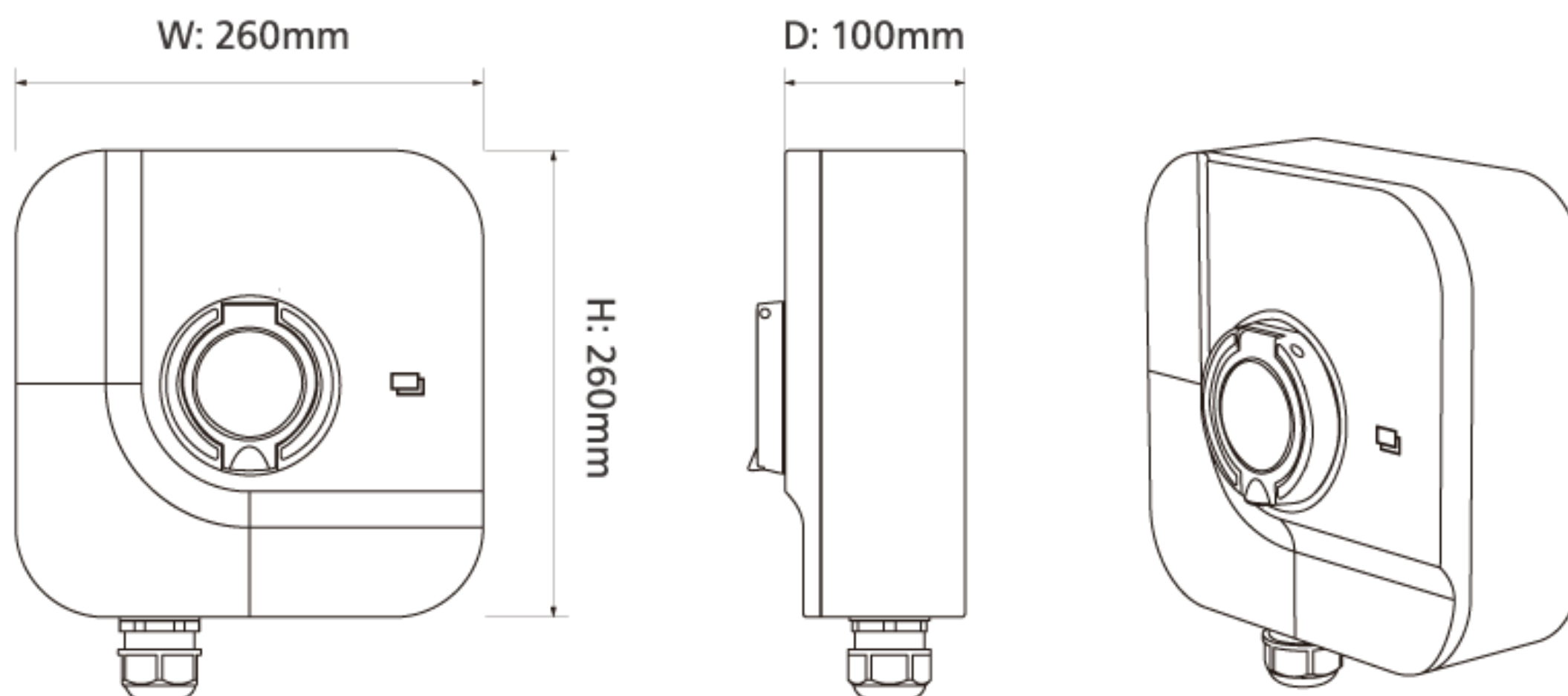


SPECIFICATIONS

- **Nominal Supply:** 230V AC +/-15% (single phase), 400V AC +/-15% (3-phase)
- **Adjustable current:** 6A-32A Variable (via Installer App)
- **Overcurrent Protection:** 40A Supply (external MCB)
- **Standby Power Consumption:** <8W
- **Installation network:** TN, IT, and TT
- **Supply Cable Entry:** Ø18mm-Ø24mm hole at the bottom of the enclosure
- **Housing material/Enclosure:** PC+ASA (UL94 V-O Fire Rated)
- **Socket:** IEC 62196 Type 2, IP54 lid, electrical lock
- **Operating temperature:** -25°C – 50°C
- **Humidity:** 5%~98% non-condensing
- **Installation:** Indoor / Outdoor
- **Weight:** 3.5kg socket, 5.5kg tethered
- **Certification:** CE, UKCA, ROHS (TUV)
- **Supply Cable sizes:** Single phase: min 6mm² Three phase: min 10mm²



	Connection type	AC Charging output (s)	Input Supply (s)	Product Code
Single Phase Units	1x Type 2 charging socket/cable	Up to 7.4kW (32A)	1x Up to 32A Single Phase* 230V AC (±15 %) 50/60Hz	HC-7-S0 / HC-7-T
Three Phase Units	1x Type 2 charging socket/cable	Up to 22kW (32A)	1x Up to 32A Three Phase* 400V AC (±15 %) 50/60Hz	HC-22-S0 / HC-22-T





HYDRA NEXUS CLOUD PRO APP FOR MOBILE

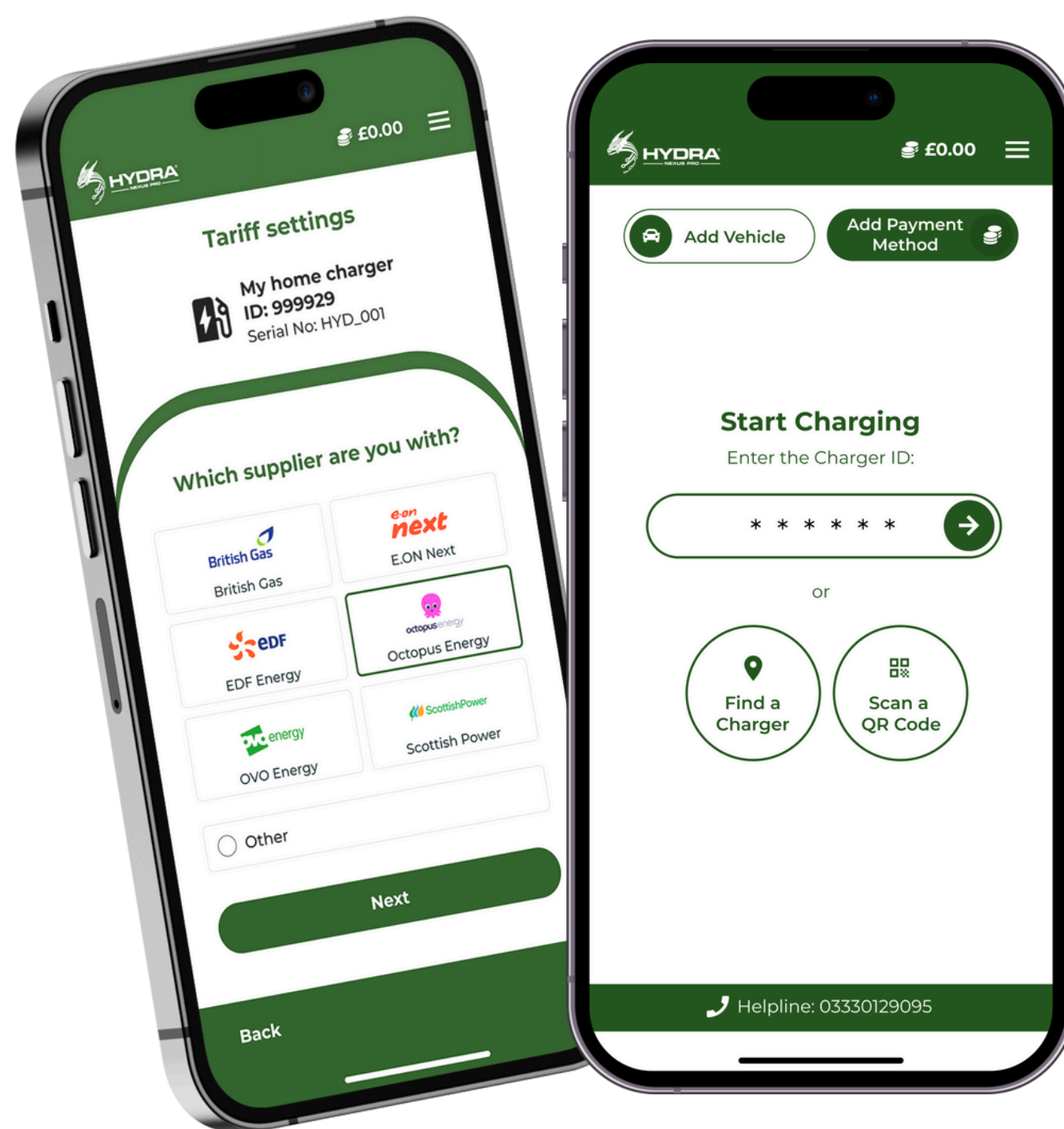


The Nexus Cloud Pro App allows for remote control of your charger via the internet.

It allows you to schedule charges for beneficial tariffs and start/stop charging sessions from a distance.

The App also records the data to keep track of how much you are charging and spending.

- Schedule charging
- RFID activation
- View charging in real time
- Multi-user access
- Usage analytics
- Can also be used for public chargers



**DOWNLOAD THE FREE
NEXUS CLOUD APP**





t: 01268 205 121
e: sales@hydraev.co.uk
www.hydraev.co.uk

